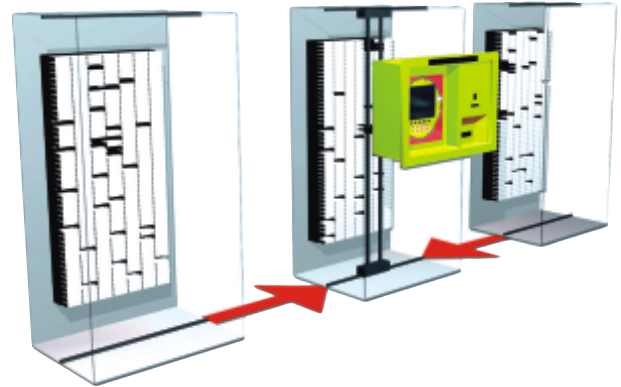




The 24 VideoStation modular range

Since **24 VideoStation** dispensers are modular, you can begin with a basic module and then add all the magazines you want.



Models

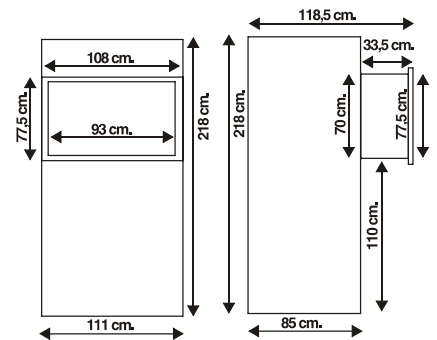
Basic Module

Bank note recharging withdrawal/deposit station which can also be enabled at the end.

Capacity: 1000 DVD

Colour: as required by customer (aluminium colour in this example)

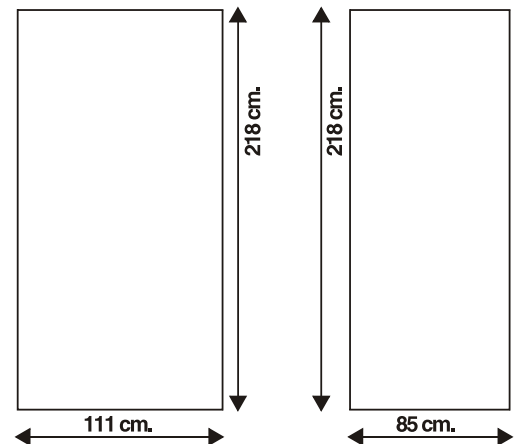
Supplies: internal PC, telephone dialer, management programs, cards, hiring contracts, Bar-Code, DVD box, disposable vending box



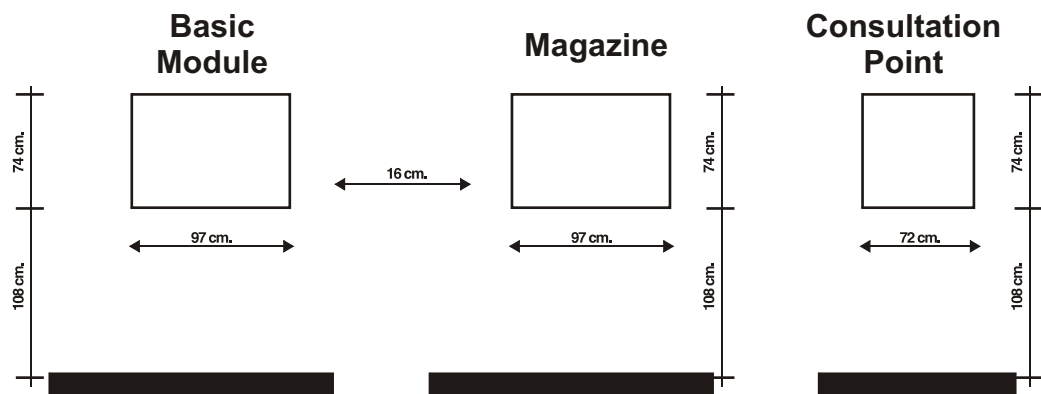
Magazines

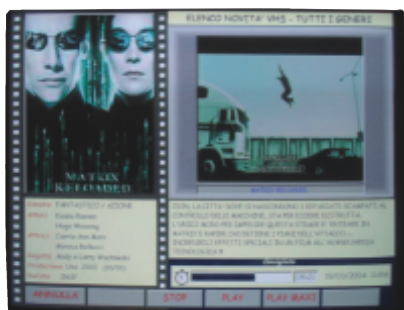
Added to the basic module, these add to the capacity of your dispenser.

Capacity: 1200 DVD



HOLE IN THE WINDOW





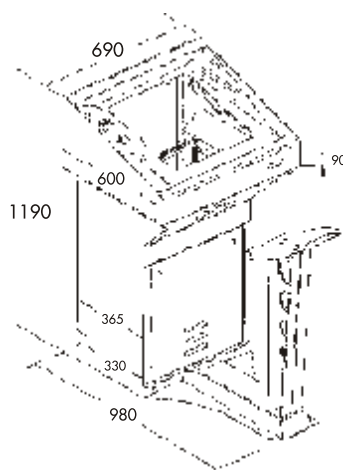
Trailer viewing

The trailers of each film can be viewed from the consultation point and also from the basic module if required



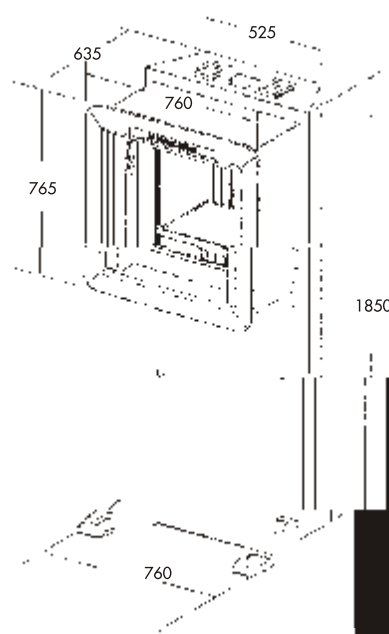
Consultation point

Consultation/booking station.
Colour: as required by customer
Allows the trailers of each film to be viewed



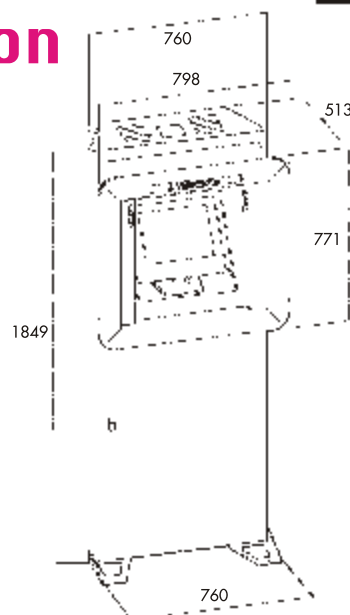
Consultation post

Consultation/booking station.
Colour: as required by customer
Allows the trailers of each film to be viewed



Private consultation station

Consultation/booking station on a slanting screen.
Colour: as required by customer
Allows the trailers of each film to be viewed



Via Masera di Sotto, 3/1-2 41057 SPILAMBERTO (MO) - Tel. e Fax 059/78.5638
www.24photostation.it - E-mail: info@24photostation.it

